

“Heart of Steel” Posts



Steel posts are a Qual Line standard that provide form and function

No matter what type of fence you choose, we will probably install it on driven steel posts. A post cover, using materials to match the fence, hides this all-important structural element. This method combines beauty *and* strength. Here's how you benefit:

◆ Steel is durable

Our steel posts don't rot, warp, twist or crack. If one gets hit by a snowplow or falling tree, it can usually be straightened. String trimmers – even high-powered commercial ones – don't affect steel posts.

◆ Steel is strong

We drive steel posts *deep* – one foot less than your fence height. This depth will hold the fence forever, but on privacy fences we add a 6 inch x 12 inch steel flange footing, for even greater stability. Absence of a concrete footing means frost heave is virtually impossible.

◆ Steel is long-lasting

We guarantee that our galvanized steel posts will stay in vertical alignment – straight and plumb – for 10 years. A fence built with our steel posts will withstand storm winds of up to 74 mph.

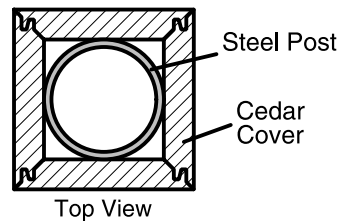
◆ Installation is clean

When we build a fence for you using steel posts, we don't mess up your lawn with concrete or big machines. And we can punch right through landscape fabric without damage. Our special tool (with a power unit on the street) cleanly drives the posts and sets the below-grade flanges.

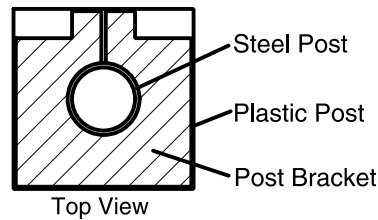
◆ Speed

Many fences built this way can be completed in a single day. Also, driving posts allows us to install in spite of inclement weather.

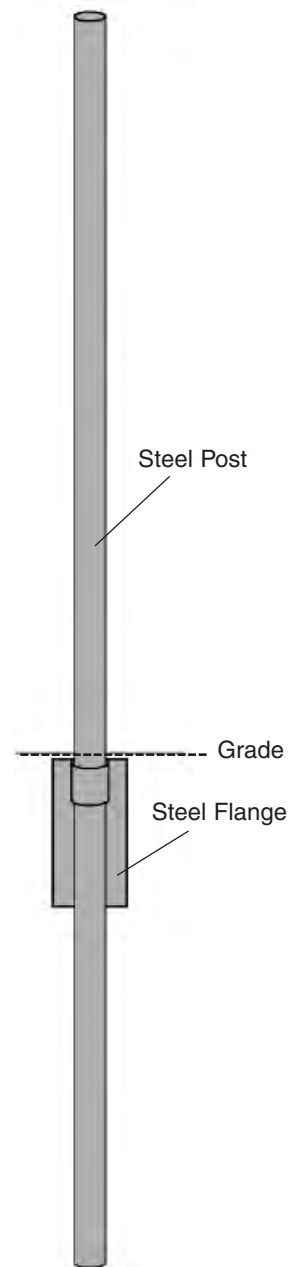
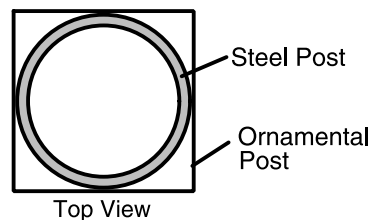
Wood Fence Post



Plastic Fence Post



Ornamental Metal Fence Post



Post covers using materials to match the fence can hide the steel post. Decorative caps can also be added to accent corners, gates etc.